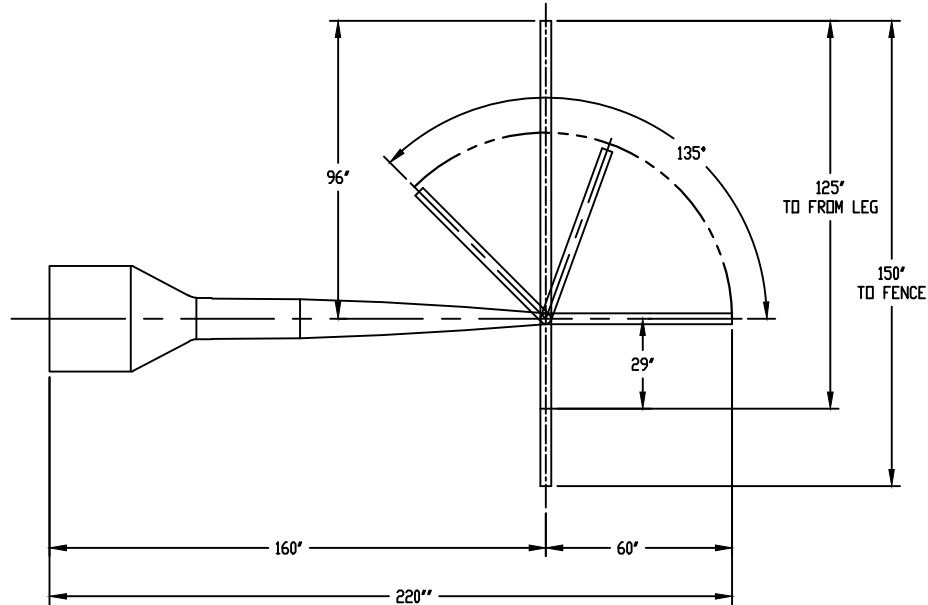


HS2000 BI-DIR SWING RIGHT
PLAN VIEW



HS2000 BI-DIR SWING LEFT
PLAN VIEW

CONFIDENTIAL/PROPRIETARY
INFORMATION: THIS DRAWING IS
THE PROPERTY OF RGC AND IS
FURNISHED FOR PURPOSES OF
MANUFACTURING AND/OR
INSPECTION AND SHALL NOT BE
USED/DISCLOSED BY RECIPIENT
FOR ANY OTHER PURPOSE
WHATSOEVER.

MATERIAL

TOLERANCES UNLESS SPECIFIED
ANGLES = +/- .5 DEG
FRACTIONS = +/- 1/16
.XXX = +/- .005
.XX = +/- .01
.X = +/- .03

DRAWN
BY
CHECKED
BY
APPRVD
BY

INT DATE
PDJ 2/17/14

RGC
REIMANN & GEORGER CORP.
HOISTING - MARINE - CONSTRUCTION

SCALE
.0208 = 1
PAGE
1 OF 1

SIZE
A

DWG. NO.

HS2000 BI-DIR

HS2000

REV.
-