

BALLAST BLOCK ASSEMBLY

Before using the Ballast Blocks, they must be filled with the proper amount of concrete. Prepare the Ballast Blocks as follows:

1. Place the Ballast Block handle in the base section of the ballast weight. (This is the section without the filling hole.) This handle can stand upright by itself. Position top section of Ballast Block over base section, push down and snap into position. See Figure 1.
2. Place a funnel into the opening and pour a loosely mixed, flowing concrete into the box. Funnel may require slitting to fit opening of Ballast Block. Position Ballast Block on an angle to insure complete filling. See Figure 2.



WARNING:

ENSURE BALLAST BLOCK IS COMPLETELY FILLED WITH CONCRETE. USE A SCALE TO CONFIRM THE MINIMUM WEIGHT OF FIFTY POUNDS OF EACH BALLAST.



WARNING:

DO NOT USE MORTAR MIX. THIS WILL NOT GIVE THE REQUIRED MINIMUM BALLAST BLOCK WEIGHT OF 50 POUNDS.

Allow the concrete to set 10 minutes; then remove excess concrete from handle area to allow hand clearance. Wipe off top and base of box to allow nesting into the Counterweight Basket.

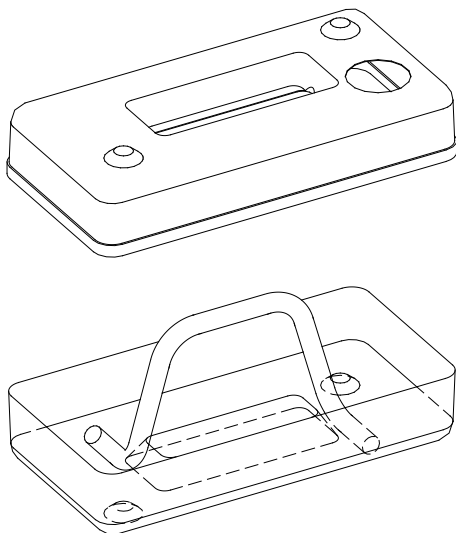


Figure 1
Ballast Block Assembly

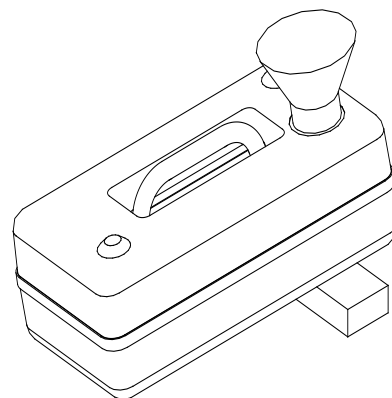


Figure 2
Ballast Block Filling